



Omega Liquid Waste Solutions

With a combined experience of over 30 years in liquid-solid separation, the Omega Liquid Waste Solutions inc. team of engineers have developed self-cleaning filtering core technologies that thrust mobile equipment used for sewer, septic tank and grease trap cleaning to the next level with the ability to recycle water.

OMEGA SG™ (Septic & Grease) and OMEGA SC™ (Sewer Cleaner) FILTER SERIES possess state-of-the-art double high-speed counter-rotating self-cleaning technology (patent pending), are resistant to abrasion and will not clog in high grease concentration applications.

OMEGA's best-in-class mechanical liquid-solid separation cores are supported by our experienced team to assist you with the integration of the system to meet your particular design and operation parameters. If you are in the concept stage of new projects, do not hesitate to discuss your application with our experts since our team's experience extends beyond filtering.



Save up to two Olympic pools of potable water per year, per truck equipped with Omega SC™ Filter Systems.

The Technology

The OMEGA SG™ and OMEGA SC™ FILTER SERIES are mechanical liquid-solid separation filters ideal for mobile and stationary equipment that service sewers, grease traps, septic tanks or any other liquid-solid separation task with the most rigorous requirements.

Key Features:

- Self-cleaning system prevents clogging;
- Excellent for high grease concentration applications;
- SST design reduces wear & tear and extends filter life;
- Continuous filtration system;
- Easy to retrofit existing equipment;
- Compact and lightweight system;
- Lower carbon foot print;
- Eliminates the use of chemicals, environmentally friendly;
- Allows the liquid to be recirculated in standard pumps requiring ultra-fine filtration;
- Depending on your application:
 - reduces the amount of water to get solids ready for Biogas plants or composting centres;
 - does not affect bacterial flora.

OMEGA SC Filter Series™

CITY SEWER AND STORM LINE APPLICATIONS

OMEGA SC-100™ and OMEGA SC-200™ filters are self-cleaning and will not clog in sewer applications, where high concentrations of fiber, hair or grease are present.

Storm lines collect all types of dirt and debris such as gravel, sand, branches, etc., making it hard on your equipment. OMEGA SC-100™ and SC-200™ are entirely made of high grade stainless steel; they will take anything you throw at them and remain in perfect shape for years.

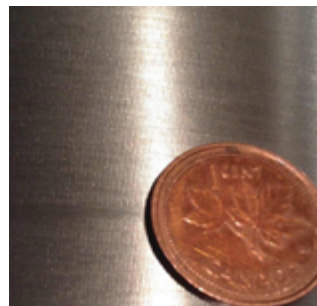
The clarified/recycled water from the storm or sewer lines can be re-used to supply the jetter pump to continue the cleaning process seamlessly.

Recycling water, combined with more space for solids, allows for a full day's operation without refilling the fresh water tank or emptying the debris tank – not to mention the environmental impact of recycling thousands of gallons of water per day.

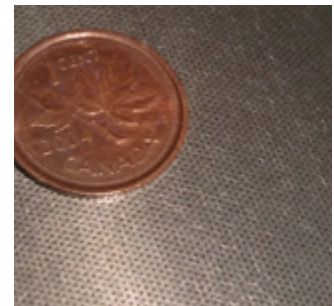
INDUSTRIAL APPLICATIONS

Slaughter houses, meat transformation and food preparation industries use large quantities of water which need to be treated before it can be returned to the city sewer system. OMEGA SC-100™ and OMEGA SC-200™ filters are the ideal complement to your filtering system with their high grease-retaining capacity, rugged design and self-cleaning technology, which simplifies maintenance and lowers operational costs.

Ask us how OMEGA SC-100™ and OMEGA SC-200™ filter Series can help you save money, and enhance your specific application.



100 Microns SST Membrane
640 L/min (170 gpm)



200 Microns SST Membrane
800 L/min (215 gpm)

Sample ID and Analysis Results

Type	Location	TSS (mg/l) ¹	VSS (mg/l) ²	Size (µm) ³	Micro ID (Visual scope evaluation)
Combined sewer line	Input	28 000	7 900	205	Quartz sand & gravel, biological debris, filamentous iron bacteria, cellulose, animal hair
Combined sewer line	Output	650	500	27	-----
Storm line	Input	68 000	11 000	60	Quartz sand & gravel, biological debris, filamentous iron bacteria
Storm line	Output	5 300	4 500	24	Quartz sand & gravel, biological debris, few filamentous iron bacteria
Sewer line (high grease content)	Input	11 000	9 200	322	Biological debris, filamentous iron bacteria, distinct hydrogen sulfide odor, cellulose
Sewer line (high grease content)	Output	1 700	1 000	63	Biological debris, filamentous iron bacteria, distinct hydrogen sulfide odor, protozoans

¹ Total suspended solids

² Organic solids (volatile)

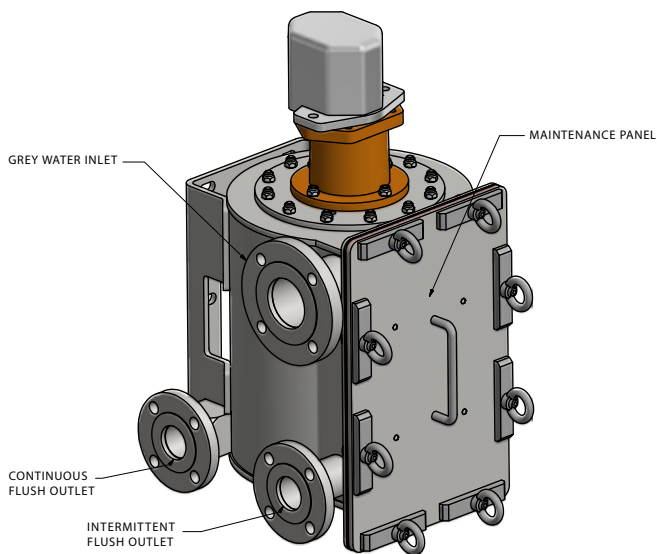
³ 90% of particles are less than the size listed

OMEGA SG Filter Series™

SEPTIC TANK APPLICATIONS

OMEGA SG-100™ and OMEGA SG-200™ filters are unparalleled at filtering septic tank contents. The filters work continuously and returns 15% more clarified water than any other filtering solution available on the market, which leaves less water in the solid waste tank.

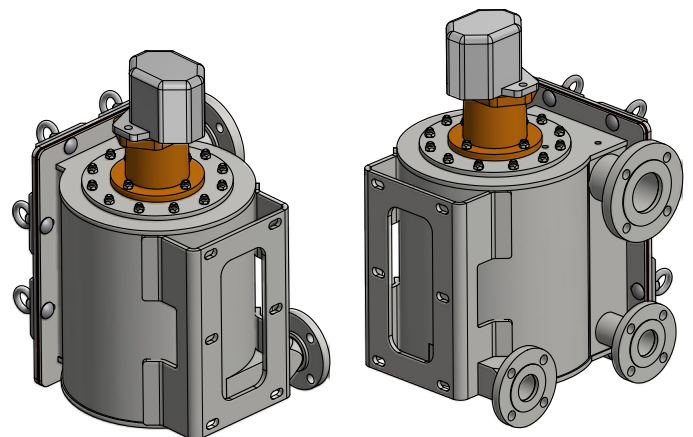
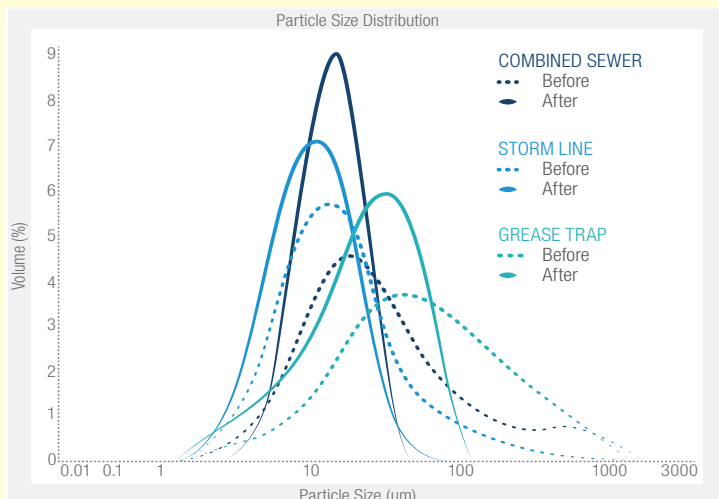
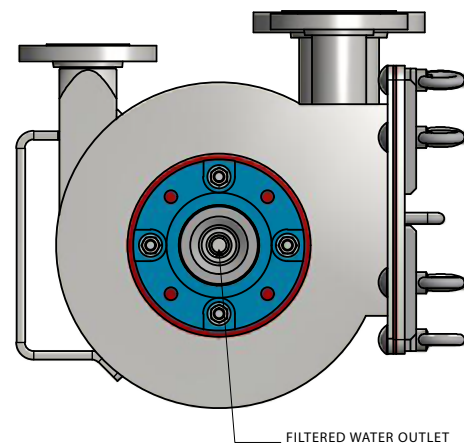
OMEGA SG-100™ and OMEGA SG-200™ filters are the perfect solution to rid septic tanks of high grease and fibre contents, while optimizing disposal costs.



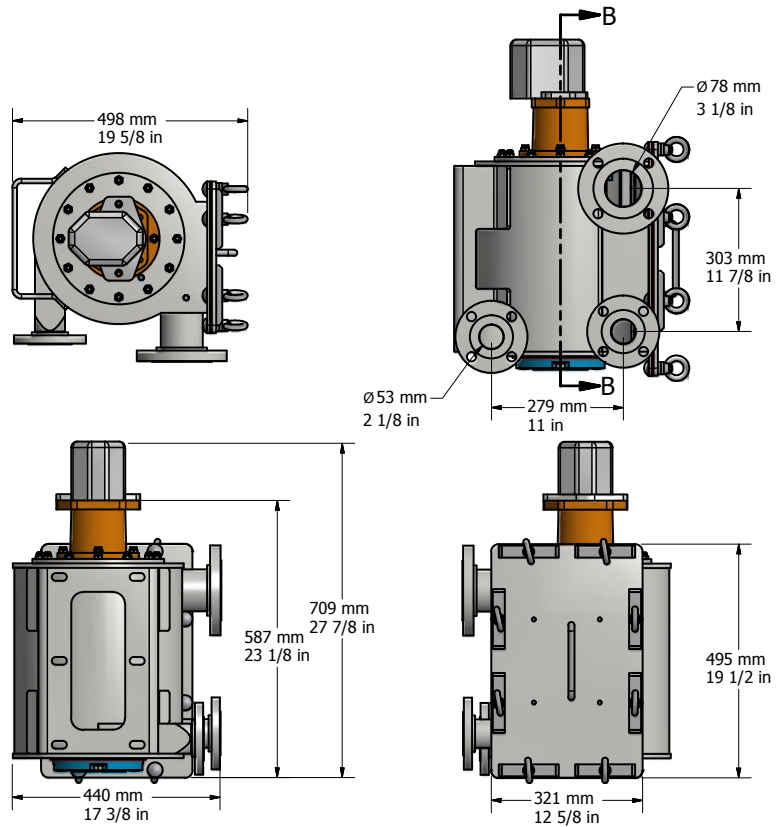
GREASE TRAP APPLICATIONS

The OMEGA SG-100™ and OMEGA SG-200™ filters are outstanding at cleaning grease traps since you can return up to 80% of the liquid content, which has been purified at 99%. This allows you to work all day without having to empty the truck tank.

With its unique design, the patent pending technology of the OMEGA SG Filter Series create a counter-rotation effect that prevents clogging and operation delays, while providing high quality results every time.



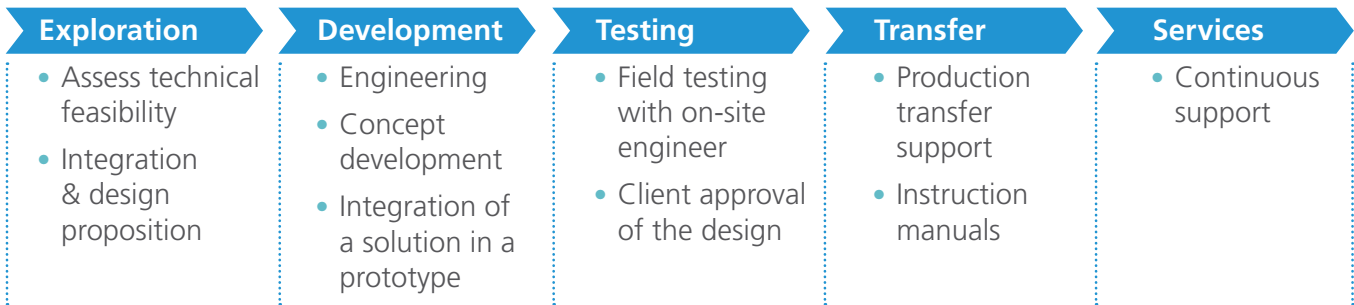
OMEGA SG™ and OMEGA SC™ Technical Specifications



Providing a 360° Solution

When working with us, not only will you get the best technology available, you will be working with our experienced engineers throughout the entire implementation process, ensuring the design meets your expectations and the development progresses smoothly.

Below is a quick overview of the product integration process and services you will receive with your first purchase of the OMEGA SG™ or OMEGA SC™ FILTER SERIES.



667, Giffard Street
Longueuil (Quebec)
CANADA J4G 1Y3

Toll Free 855 651-0444
Tel. 450 651-0444
Fax. 450 651-0447

www.omega-lws.com

PRINTED IN CANADA - V.1-13-02-13